

254

Spare parts

Ersatzteile

Pièces détachées

Reserve onderdelen

Repuestos

Reservdelar

Replaces

Ersetzt

Remplace

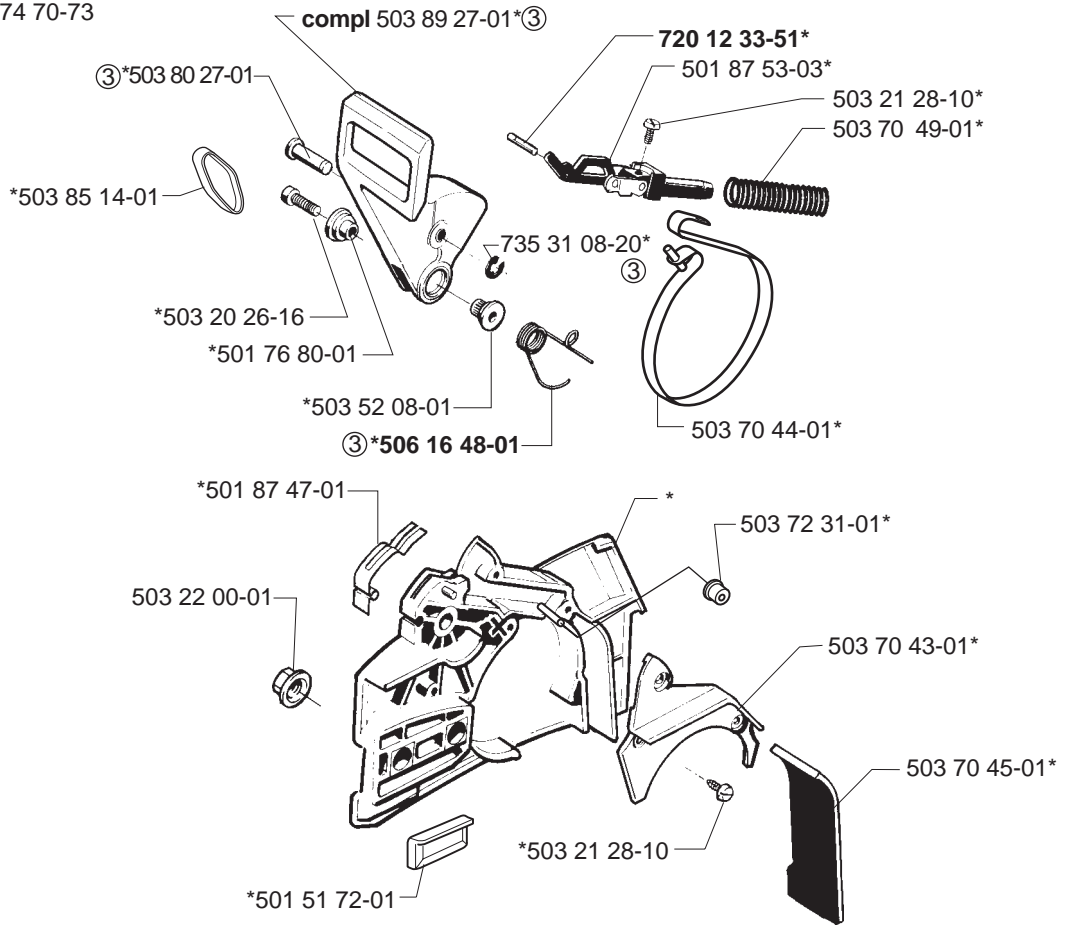
Vervangt

Reemplaza

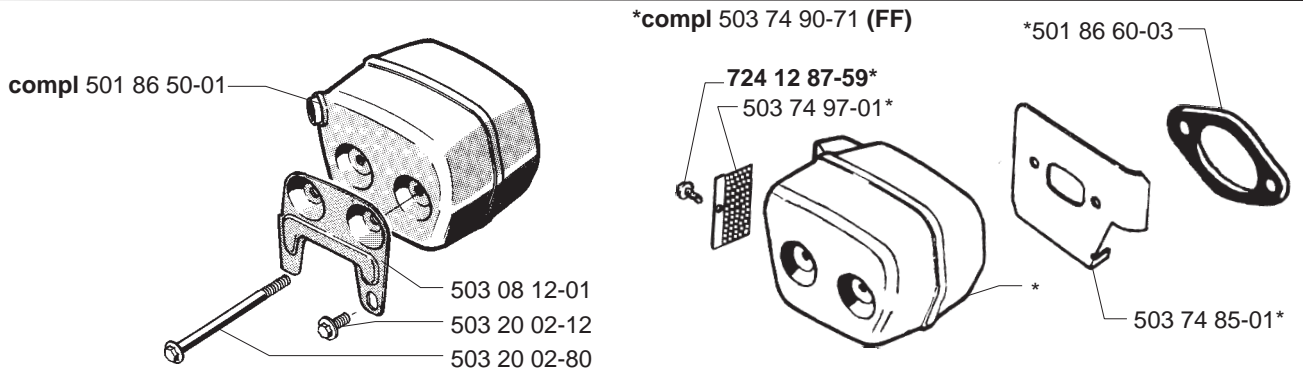
Ersätter

106 22 70-66

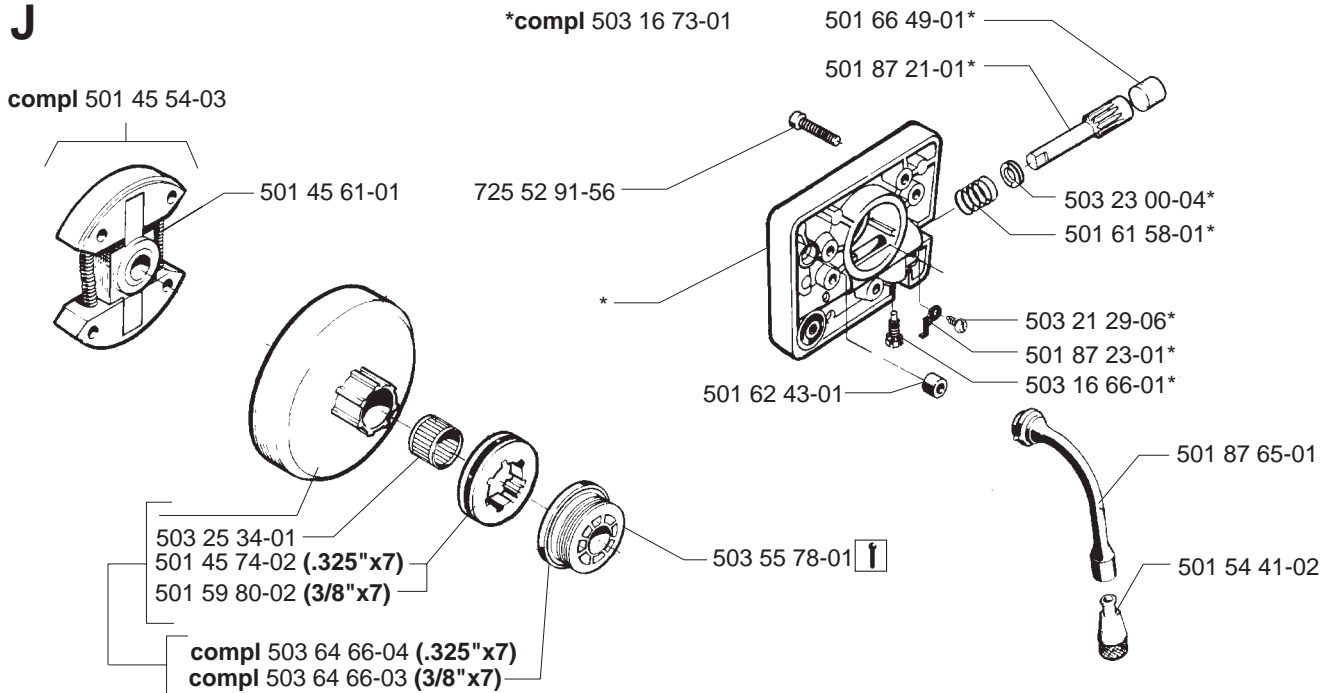
A *compl 503 74 70-73



F

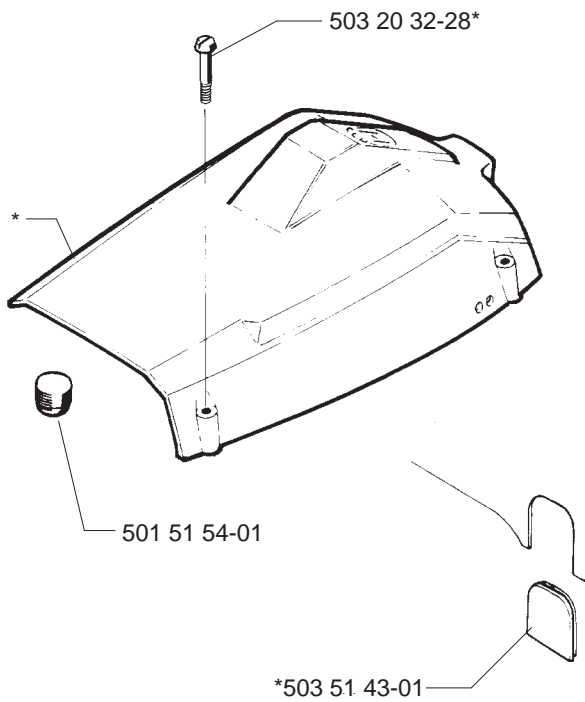


J



B

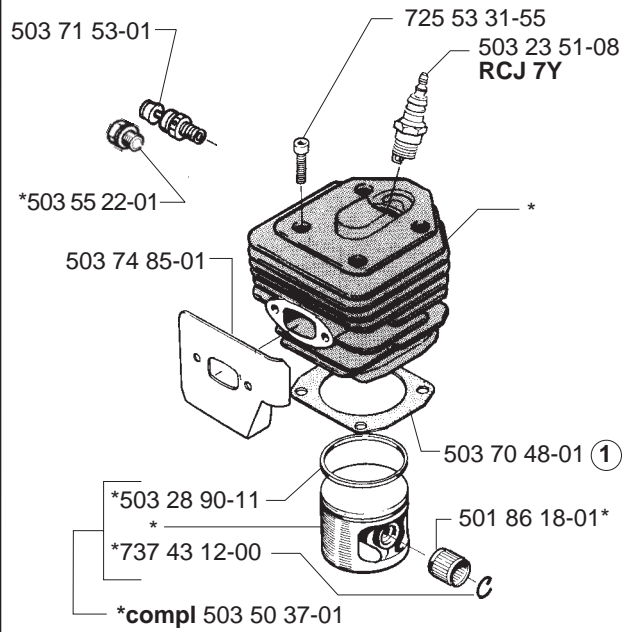
*compl 501 86 95-09
 *compl 501 86 95-08 (USA)



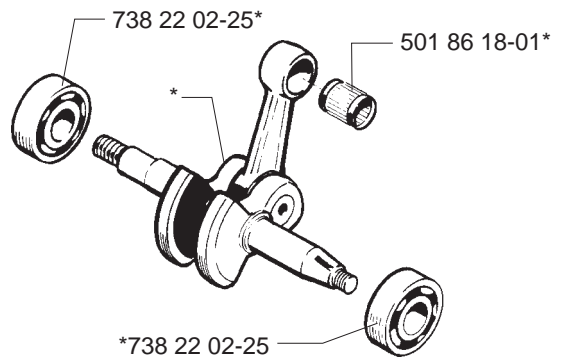
503 98 74-01

**C**

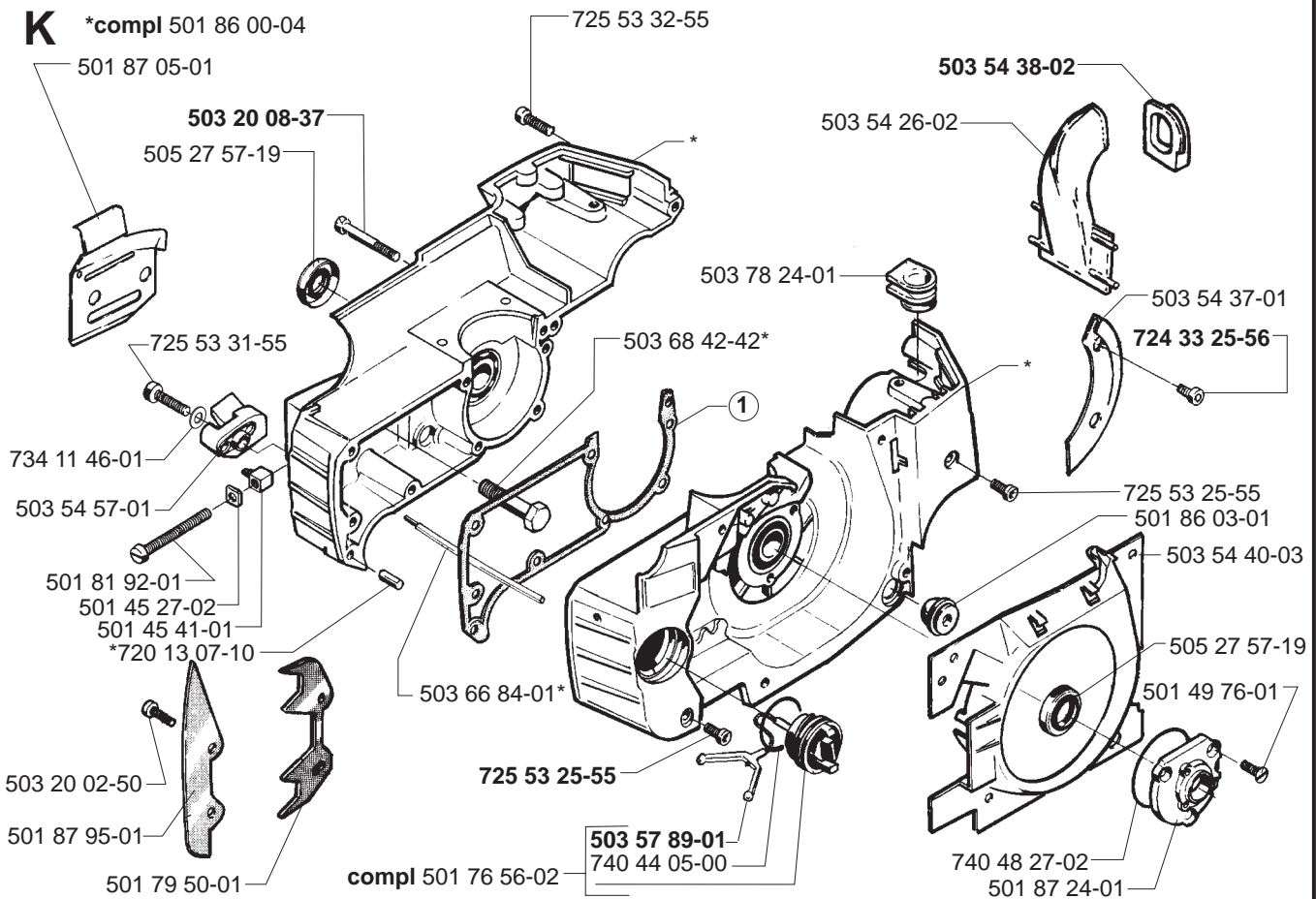
*compl 503 50 39-03

**G**

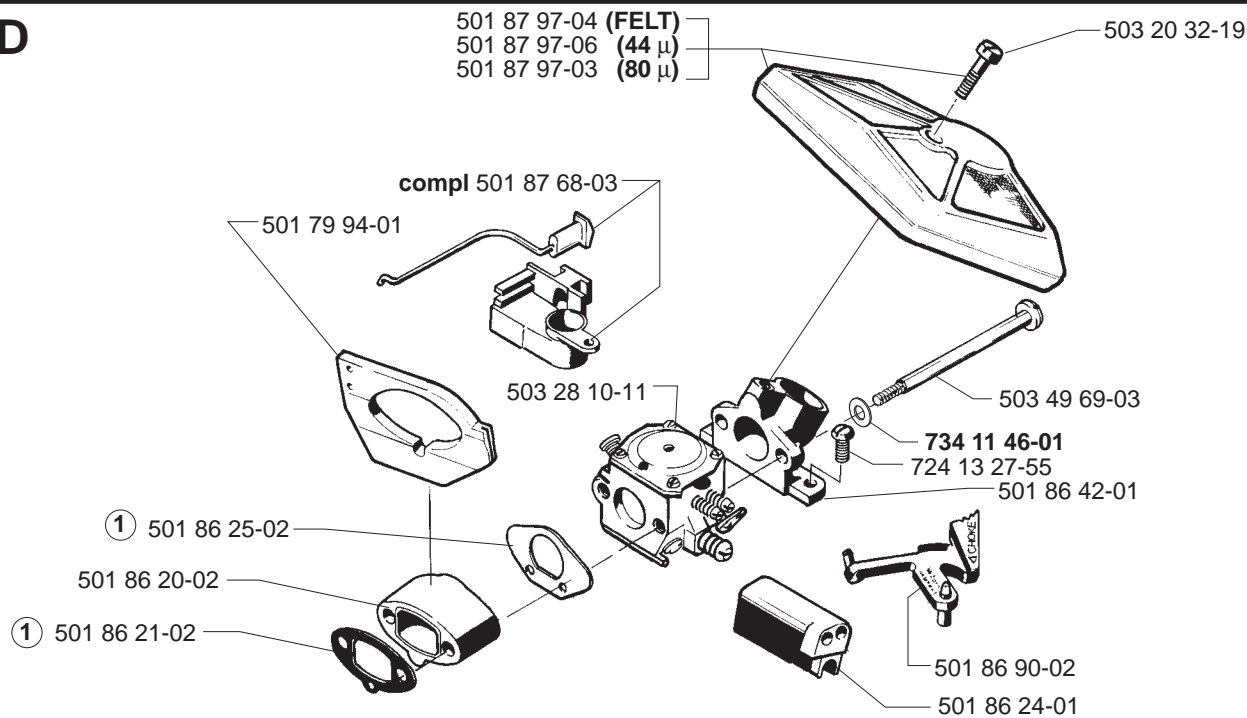
*compl 506 18 23-71

**K**

*compl 501 86 00-04

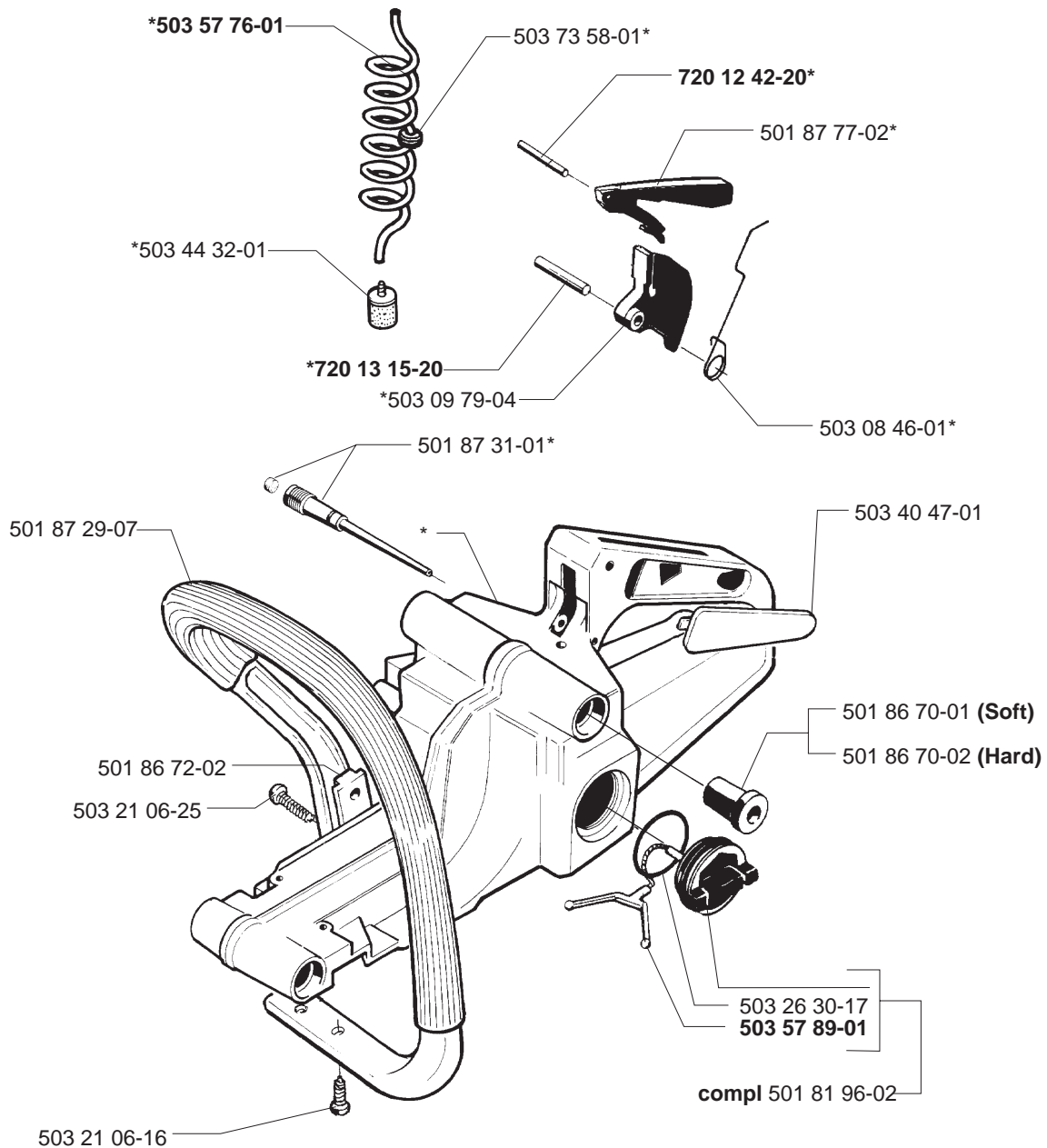


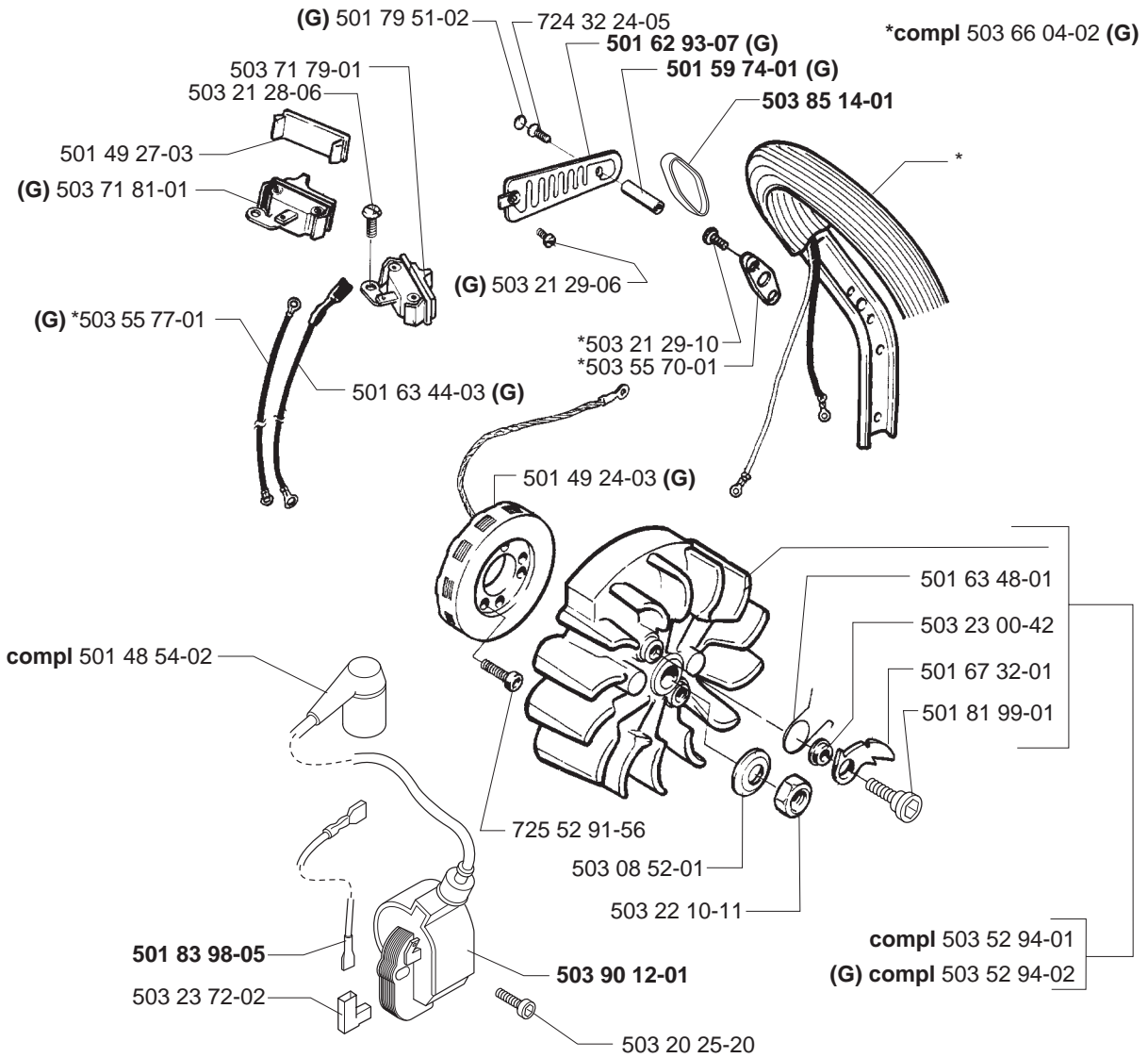
D



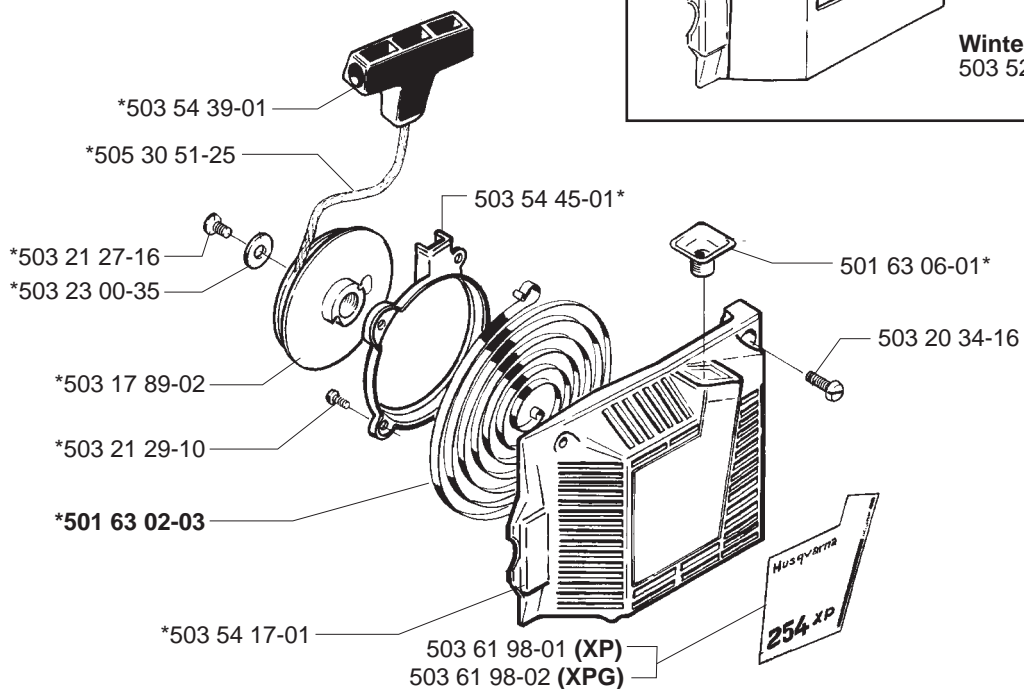
E

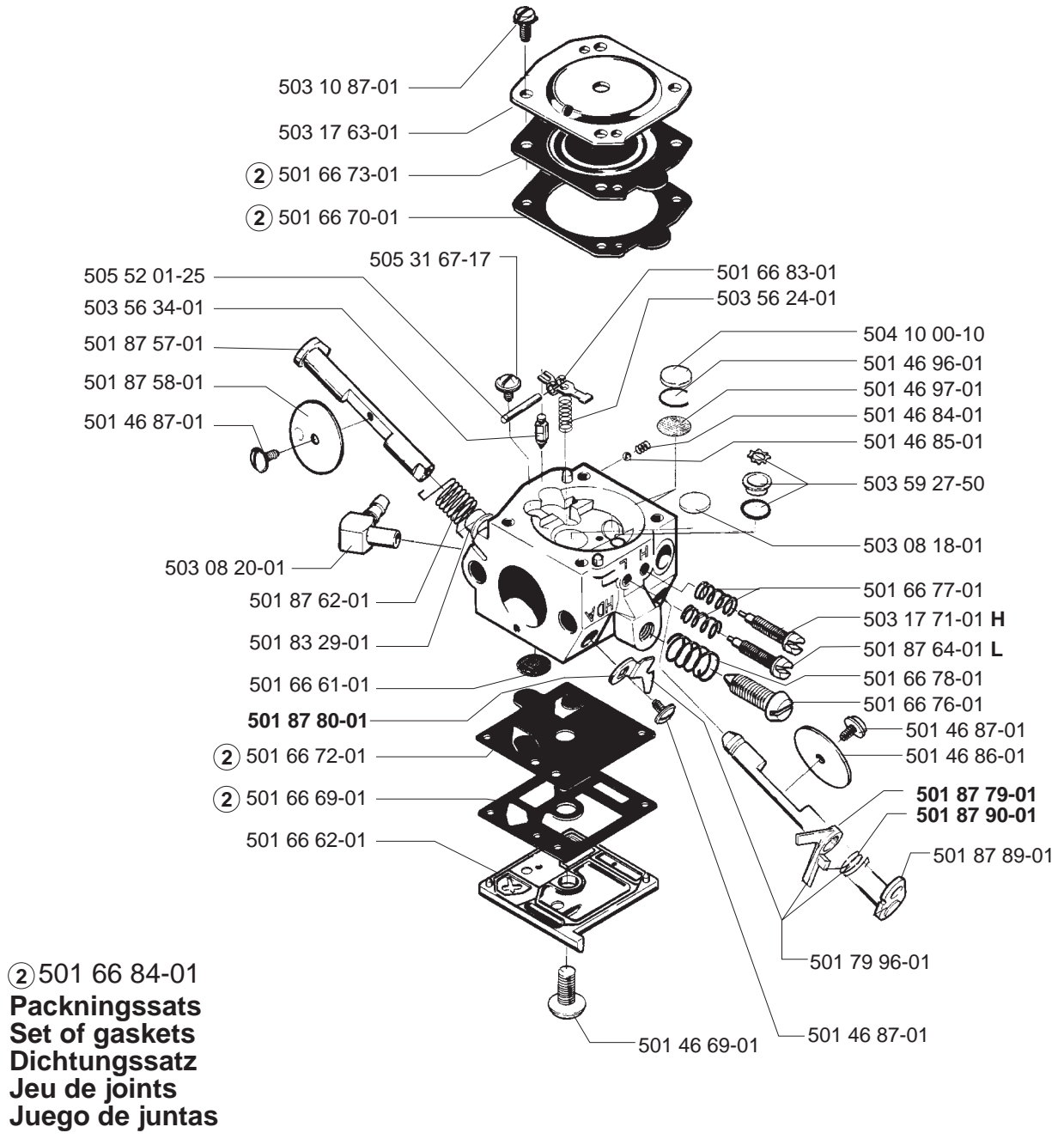
*compl 501 76 13-10



H**L**

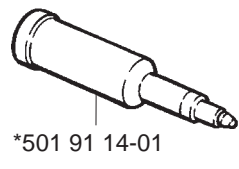
*compl 503 54 16-01





N *compl 503 55 85-01

Tillbehör
Accessories
Zubehöre
Accessoires
Accesorios



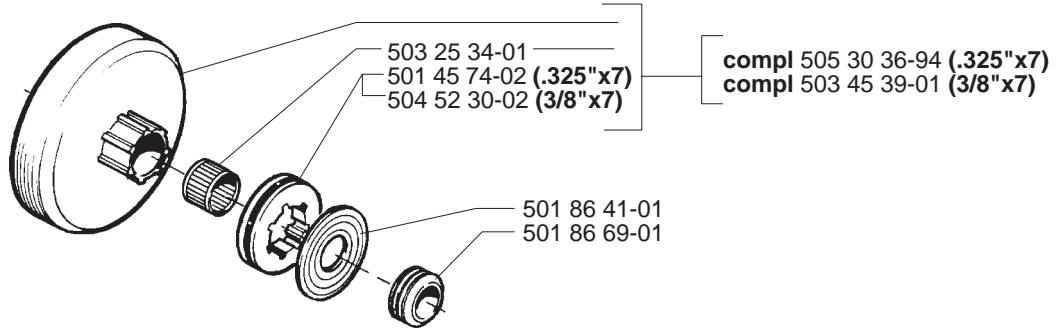
Y



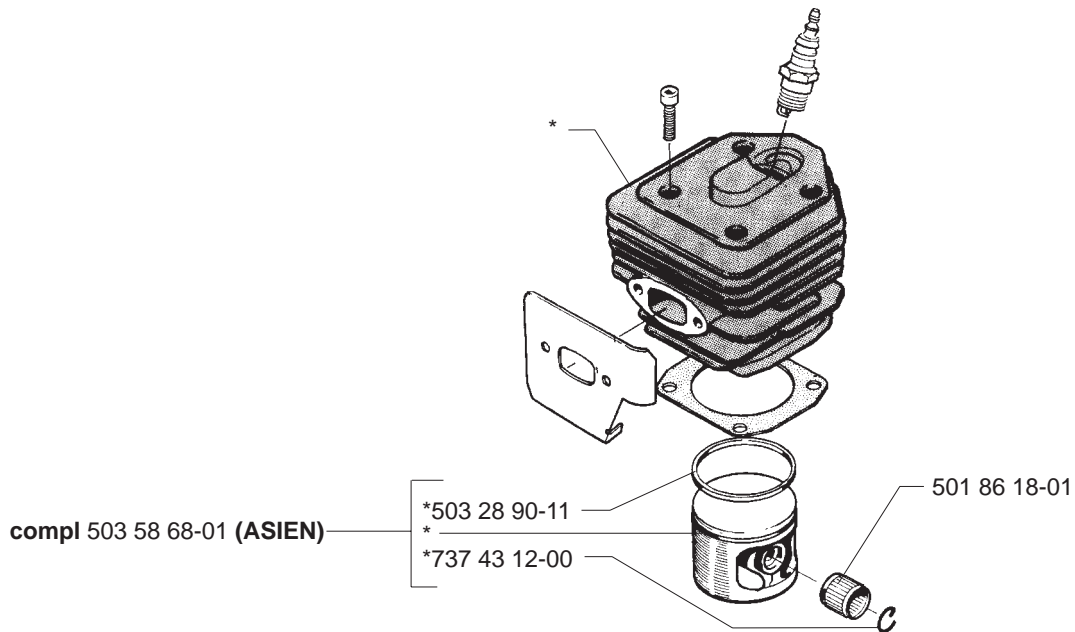
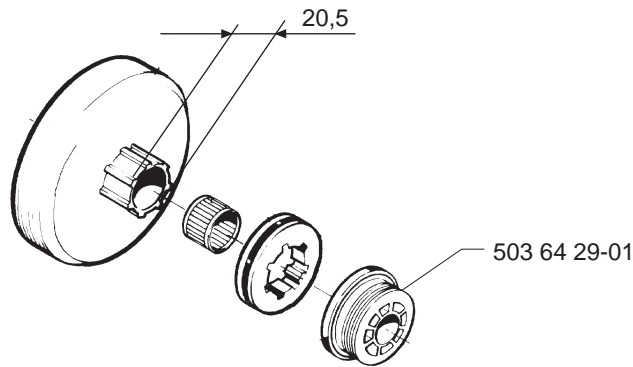
≥ = Up to
Bis
A

Tot
A
T.o.m.

Serial no. ≥ 3450001
(1993)



Serial no. ≥ 4500497
(1994)



MODEL 254

| PART NUMBER | SQUARE NOTE | PART NUMBER | SQUARE NOTE | PART NUMBER | SQUARE NOTE | PART NUMBER | SQUARE NOTE |
|--------------|-------------|--------------|-------------|--------------|-------------|--------------|-------------|
| 501 45 27-02 | K | 501 86 95-08 | B | 503 50 37-01 | C | 720 13 15-20 | E N |
| 501 45 41-01 | K | 501 86 95-09 | B | 503 50 39-03 | C | 724 12 87-59 | F N |
| 501 45 54-03 | J | 501 87 05-01 | K | 503 51 43-01 | B | 724 13 27-55 | D |
| 501 45 61-01 | J | 501 87 21-01 | J | 503 52 08-01 | A | 724 32 24-05 | H |
| 501 45 74-02 | JY | 501 87 23-01 | J | 503 52 77-01 | L | 724 33 25-56 | K N |
| 501 46 69-01 | M | 501 87 24-01 | K | 503 52 94-01 | H | 725 52 91-56 | HJ |
| 501 46 84-01 | M | 501 87 29-07 | E | 503 52 94-02 | H | 725 53 25-55 | K |
| 501 46 85-01 | M | 501 87 31-01 | E | 503 54 16-01 | L | 725 53 31-55 | CK |
| 501 46 86-01 | M | 501 87 47-01 | A | 503 54 17-01 | L | 725 53 32-55 | K |
| 501 46 87-01 | M | 501 87 53-03 | A | 503 54 26-02 | K | 734 11 46-01 | DK |
| 501 46 96-01 | M | 501 87 57-01 | M | 503 54 37-01 | K | 735 31 08-20 | A |
| 501 46 97-01 | M | 501 87 58-01 | M | 503 54 38-02 | K N | 737 43 12-00 | CY |
| 501 48 54-02 | H | 501 87 62-01 | M | 503 54 39-01 | L | 738 22 02-25 | G |
| 501 49 24-03 | H | 501 87 64-01 | M | 503 54 40-03 | K | 740 44 05-00 | K |
| 501 49 27-03 | H | 501 87 65-01 | J | 503 54 45-01 | L | 740 48 27-02 | K |
| 501 49 76-01 | K | 501 87 68-03 | D | 503 54 57-01 | K | | |
| 501 51 54-01 | B | 501 87 77-02 | E | 503 55 22-01 | C | | |
| 501 51 72-01 | A | 501 87 79-01 | M N | 503 55 70-01 | H | | |
| 501 54 41-02 | J | 501 87 80-01 | M N | 503 55 77-01 | H | | |
| 501 59 74-01 | H N | 501 87 89-01 | M | 503 55 78-01 | J | | |
| 501 59 80-02 | J | 501 87 90-01 | M N | 503 55 85-01 | N | | |
| 501 61 58-01 | J | 501 87 95-01 | K | 503 55 86-01 | N | | |
| 501 62 43-01 | J | 501 87 96-04 | N 1COMPL | 503 55 86-02 | N | | |
| 501 62 93-07 | H N | 501 87 97-03 | D | 503 56 24-01 | M | | |
| 501 63 02-03 | L N | 501 87 97-04 | D | 503 56 34-01 | M | | |
| 501 63 06-01 | L | 501 87 97-06 | D | 503 57 76-01 | E N | | |
| 501 63 44-03 | H | 501 91 14-01 | N | 503 57 89-01 | EK N | | |
| 501 63 48-01 | H | 503 08 12-01 | F | 503 58 68-01 | Y | | |
| 501 66 49-01 | J | 503 08 18-01 | M | 503 59 27-50 | M | | |
| 501 66 61-01 | M | 503 08 20-01 | M | 503 61 98-01 | L | | |
| 501 66 62-01 | M | 503 08 46-01 | E | 503 61 98-02 | L | | |
| 501 66 69-01 | M 2 | 503 08 52-01 | H | 503 62 12-01 | N | | |
| 501 66 70-01 | M 2 | 503 09 79-04 | E | 503 64 29-01 | Y | | |
| 501 66 72-01 | M 2 | 503 10 87-01 | M | 503 64 66-03 | J | | |
| 501 66 73-01 | M 2 | 503 16 66-01 | J | 503 64 66-04 | J | | |
| 501 66 76-01 | M | 503 16 73-01 | J | 503 66 04-02 | H | | |
| 501 66 77-01 | M | 503 17 63-01 | M | 503 66 84-01 | K | | |
| 501 66 78-01 | M | 503 17 71-01 | M | 503 68 42-42 | K | | |
| 501 66 83-01 | M | 503 17 89-02 | L | 503 70 43-01 | A | | |
| 501 66 84-01 | M | 503 20 02-12 | F | 503 70 44-01 | A | | |
| 501 67 32-01 | H | 503 20 02-50 | K | 503 70 45-01 | A | | |
| 501 69 17-01 | N | 503 20 02-80 | F | 503 70 48-01 | C 1 | | |
| 501 76 13-10 | E | 503 20 08-37 | K N | 503 70 49-01 | A | | |
| 501 76 56-02 | K | 503 20 25-20 | H | 503 71 53-01 | C | | |
| 501 76 80-01 | A | 503 20 26-16 | A | 503 71 79-01 | H | | |
| 501 79 50-01 | K | 503 20 32-19 | D | 503 71 81-01 | H | | |
| 501 79 51-02 | H | 503 20 32-28 | B | 503 72 31-01 | A | | |
| 501 79 94-01 | D | 503 20 34-16 | L | 503 73 58-01 | E | | |
| 501 79 96-01 | M | 503 21 06-16 | E | 503 74 70-73 | A | | |
| 501 81 92-01 | K | 503 21 06-25 | E | 503 74 85-01 | CF | | |
| 501 81 96-02 | E | 503 21 27-16 | L | 503 74 90-71 | F | | |
| 501 81 99-01 | H | 503 21 28-06 | H | 503 74 97-01 | F | | |
| 501 83 29-01 | M | 503 21 28-10 | A | 503 78 24-01 | K | | |
| 501 83 98-05 | H N | 503 21 29-06 | HJ | 503 80 27-01 | A | | |
| 501 86 00-04 | K | 503 21 29-10 | HL | 503 85 14-01 | AH N | | |
| 501 86 03-01 | K | 503 22 00-01 | A | 503 89 27-01 | A | | |
| 501 86 18-01 | CGY | 503 22 10-11 | H | 503 90 12-01 | H N | | |
| 501 86 20-02 | D | 503 23 00-04 | J | 503 98 74-01 | B N | | |
| 501 86 21-02 | D 1 | 503 23 00-35 | L | 504 10 00-10 | M | | |
| 501 86 24-01 | D | 503 23 00-42 | H | 504 52 30-02 | Y | | |
| 501 86 25-02 | D 1 | 503 23 51-08 | C | 505 27 57-19 | K | | |
| 501 86 41-01 | Y | 503 23 72-02 | H | 505 30 36-94 | Y | | |
| 501 86 42-01 | D | 503 25 34-01 | JY | 505 30 51-25 | L | | |
| 501 86 50-01 | F | 503 26 30-17 | E | 505 31 67-17 | M | | |
| 501 86 60-03 | F | 503 28 10-11 | DM | 505 52 01-25 | M | | |
| 501 86 69-01 | Y | 503 28 90-11 | CY | 506 16 48-01 | A N | | |
| 501 86 70-01 | E | 503 40 47-01 | E | 506 18 23-71 | G | | |
| 501 86 70-02 | E | 503 44 32-01 | E | 720 12 33-51 | A | | |
| 501 86 72-02 | E | 503 45 39-01 | Y | 720 12 42-20 | E N | | |
| 501 86 90-02 | D | 503 49 69-03 | D | 720 13 07-10 | K | | |

1 compl = 501 87 96-04
2 compl = 501 66 84-01

Set of gaskets
Dichtungssats
Jeu de joints
Juego de juntas
Packningssats

N = New part
Neues teil
Nouvelle piece
Nueva pieza
Ny detalj