

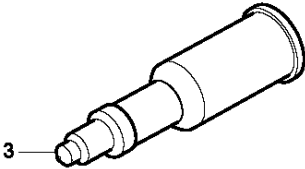
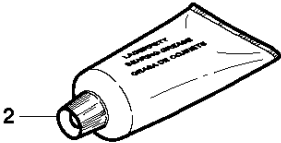
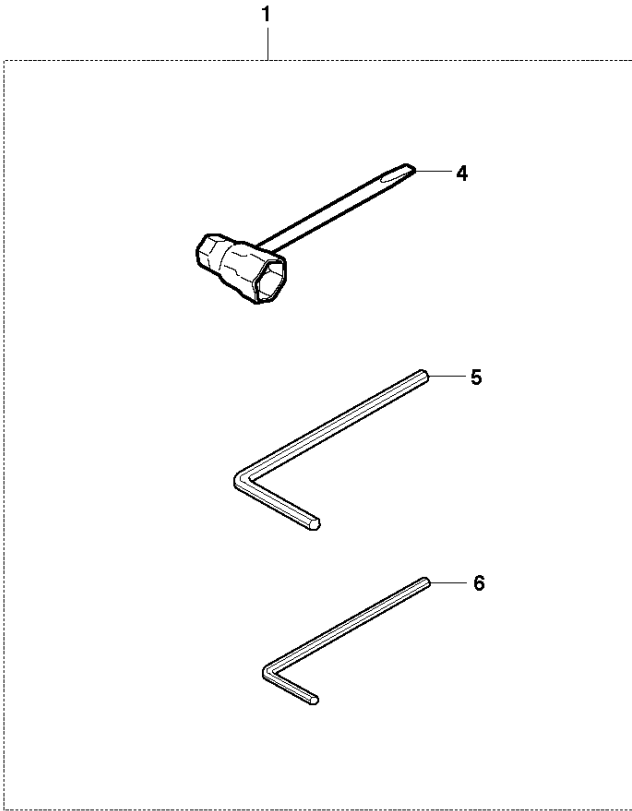


SPARE PARTS LIST

CHAIN SAWS

268, 2016-07

P Tillbehör
Accessories
Zubehöre
Accessoires
Accesorios

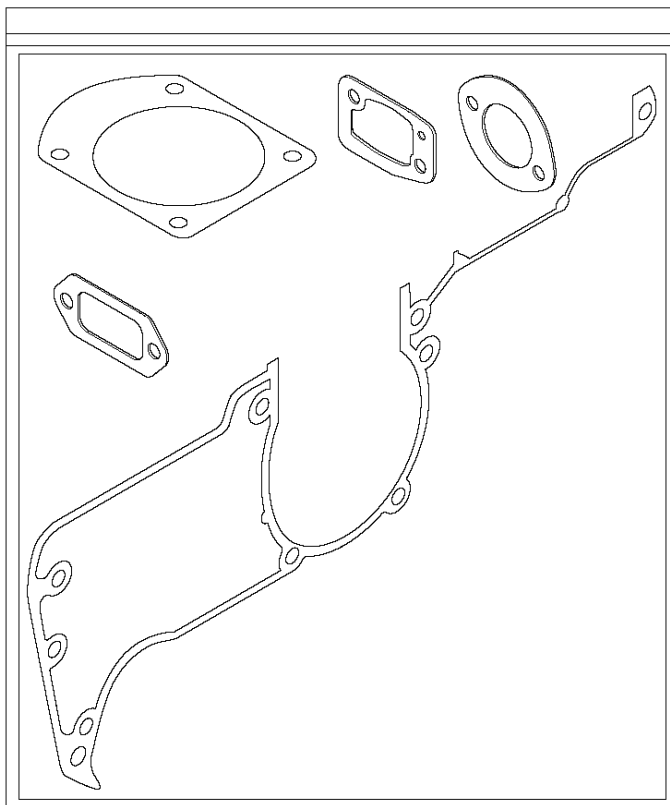


ACCESSORIES

268, 2016-07

Ref	Part No	Description	Remark	QTY KIT	
1	503 55 85-01	TOOL		1	
2	503 62 12-01	GREASE		1	
3	501 91 14-01	GREASE GUN		1	
4	501 69 17-01	COMBINATION WRENCH		1	1
5	503 55 86-02	SPANNER		1	1
6	503 55 86-01	SPANNER		1	1

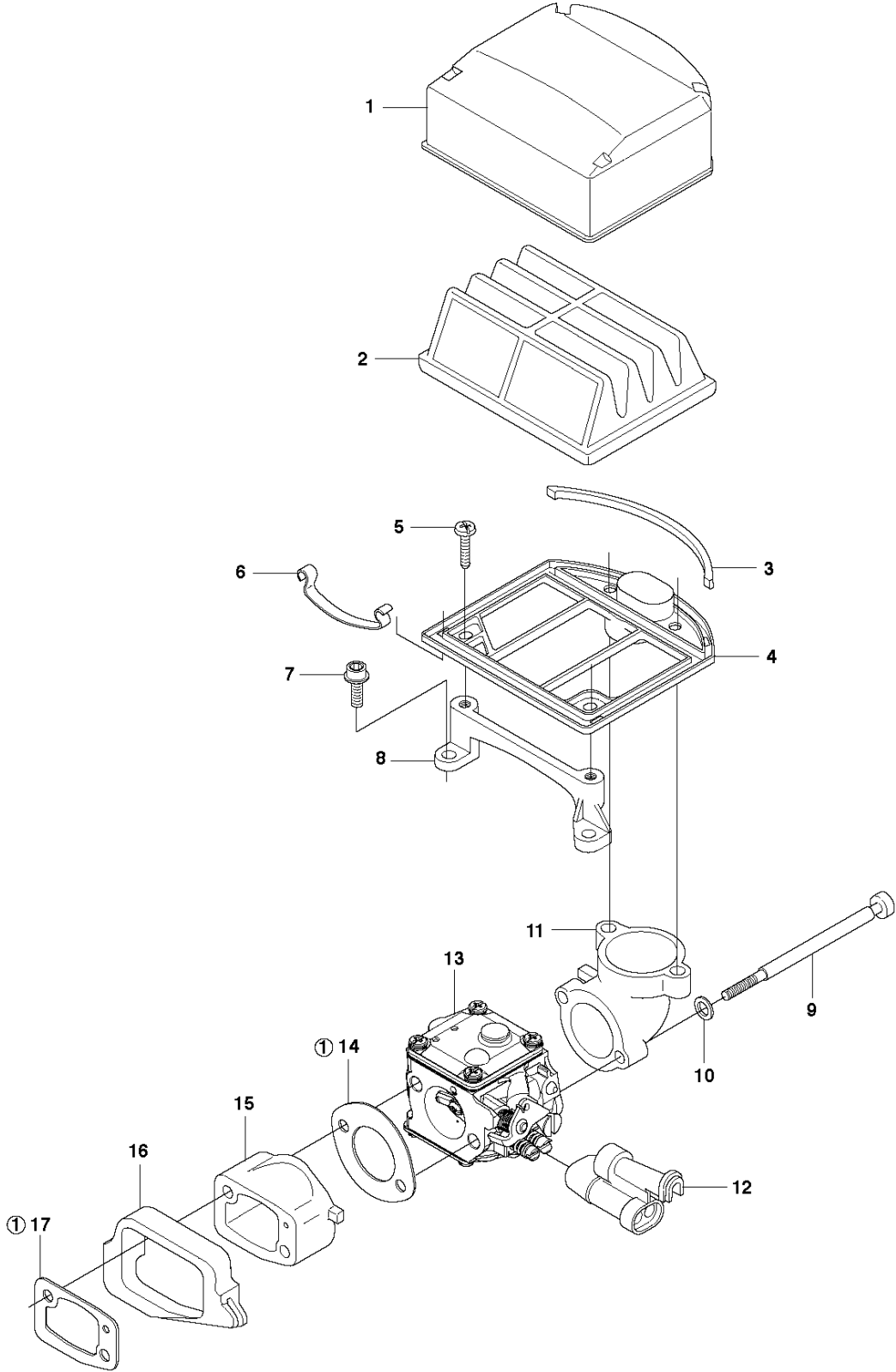
Q Leveras endast som reservdel
Delivery as spare part only
Nur als Ersatzteil lieferbar
Livrable seulement comme pièce de rechange
Solo como repuesto
Zasilá se jenom jako náhradní díl



1 ①
Set of gaskets
Dichtungssatz
Jeu de joints
Juego de juntas
Packningssats

Ref	Part No	Description	Remark	QTY KIT
1	501 52 26-04	GASKET KIT		1

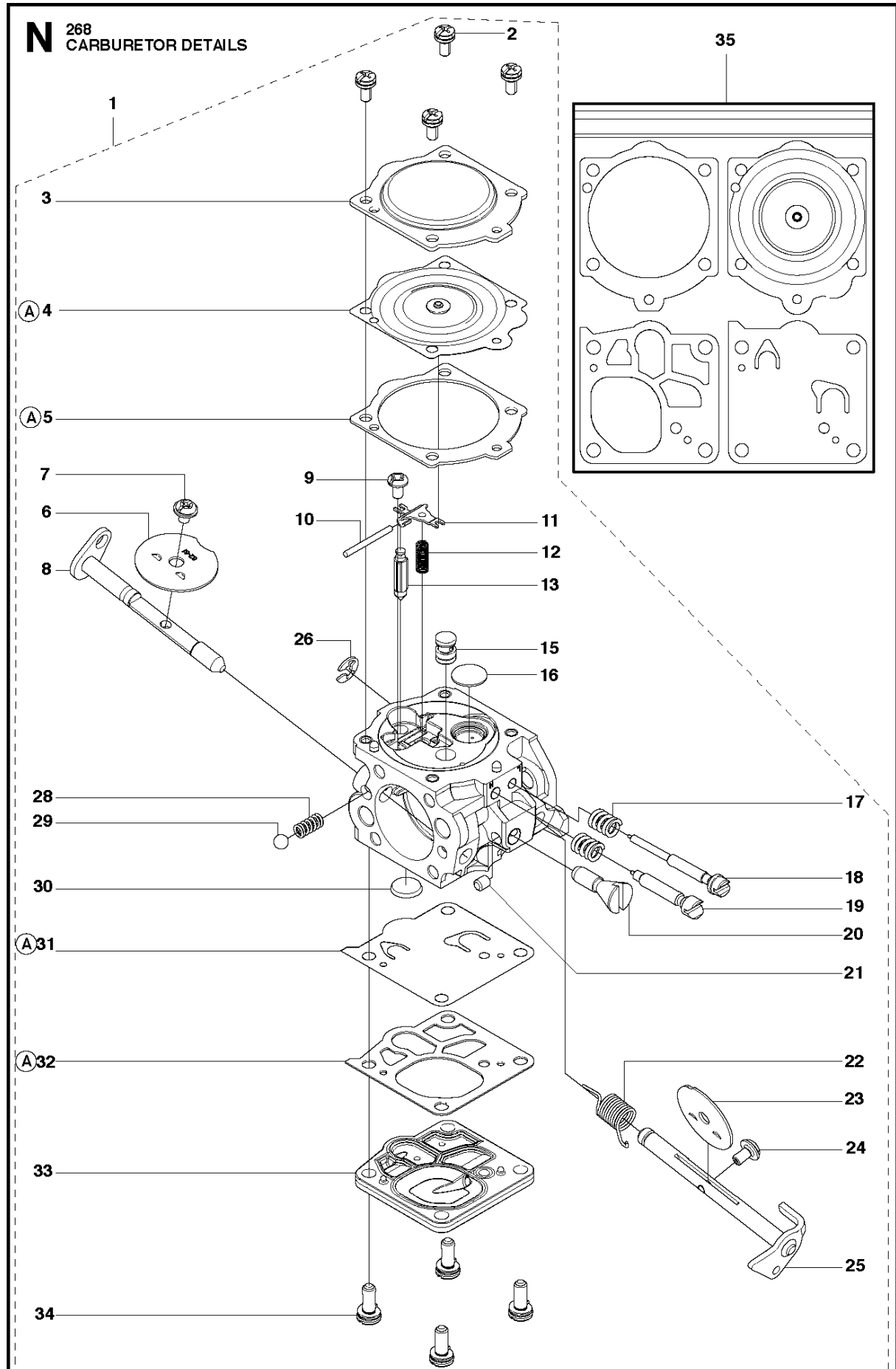
G 268
CARBURETOR & AIR FILTER



CARBURETOR & AIR FILTER

268, 2016-07

Ref	Part No	Description	Remark	QTY KIT
1	503 44 69-01	FILTER HOLDER		1
2	503 44 72-01	AIR FILTER		1
2	503 44 72-04	AIR FILTER		1
2	503 44 72-03	AIR FILTER		1
3	503 44 71-02	GASKET		1
4	503 44 67-01	FILTER HOLDER		1
5	503 21 27-16	SCREW CRPANT		4
6	503 44 68-01	FILTER HOLDER		2
7	503 20 03-12	SCREW IHSCFM		2
8	503 44 63-01	CONSOLE		1
9	503 49 69-01	SCREW		2
10	734 11 46-01	WASHER		2
11	503 44 65-71	FILTER HOLDER		1
12	503 44 51-01	GUIDE BUSHING		1
13	574 33 16-01	CARBURETTOR		1
14	501 29 64-02	GASKET		1
15	501 80 66-02	MANIFOLD		1
16	501 65 90-01	SEALING COLLAR		1
17	501 80 68-03	GASKET		1

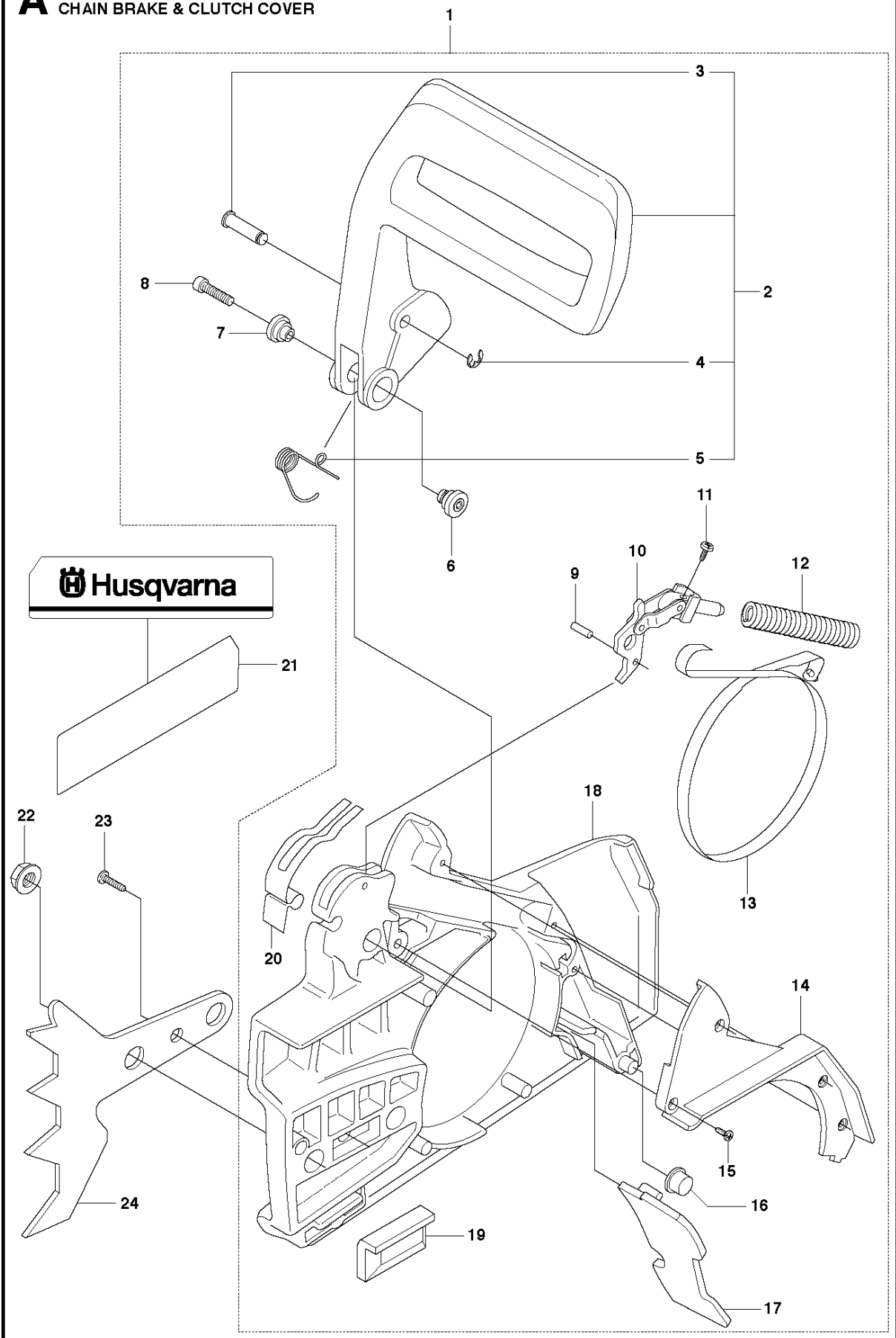


CARBURETOR DETAILS

268, 2016-07

Ref	Part No	Description	Remark	QTY	KIT
1	574 33 16-01	CARBURETTOR		1	
2	503 10 87-01	SCREW		4	1
3	505 31 67-02	COVER		1	1
4	503 63 58-01	DIAPHRAGM ASSY		1	1, 35
5	501 46 75-01	GASKET		1	1, 35
6	505 31 67-07	VALVE-CHOKE		1	1
7	537 00 34-01	SCREW		1	1
8	502 52 59-01	SHAFT ASSY		1	1
9	505 31 67-17	SCREW		1	1
10	505 31 67-31	PIN-METERING LEVER		1	1
11	505 31 67-34	LEVER		1	1
12	503 11 76-01	SPRING		1	1
13	503 11 70-01	NEEDLE		1	1
15	503 80 04-01	NOZZLE		1	1
16	503 57 41-01	PLUG		1	1
17	504 21 00-50	SPRING		2	1
18	503 48 37-01	NEEDLE IDLE SPEED	Low speed needle	1	1
19	502 52 65-01	NEEDLE	High speed needle	1	1
20	544 89 76-01	SCREW		1	1
21	503 80 05-01	PLUG		1	1
22	502 52 64-01	SPRING		1	1
23	574 33 17-01	VALVE		1	1
24	544 11 15-01	SCREW		1	1
25	502 52 58-01	SHAFT ASSY		1	1
28	503 11 77-01	SPRING		1	1
29	503 11 71-01	BALL		1	1
30	501 66 61-01	SCREEN		1	1
31	544 89 72-01	DIAPHRAGM PUMP		1	1, 35
32	503 11 72-01	GASKET		1	1, 35
33	503 59 58-01	COVER		1	1
34	503 11 75-01	SCREW		4	1
35	502 52 92-01	GASKET KIT	B2602-WJ, A = Set of Gasketes	1	
26	503 79 95-01	RING		1	1

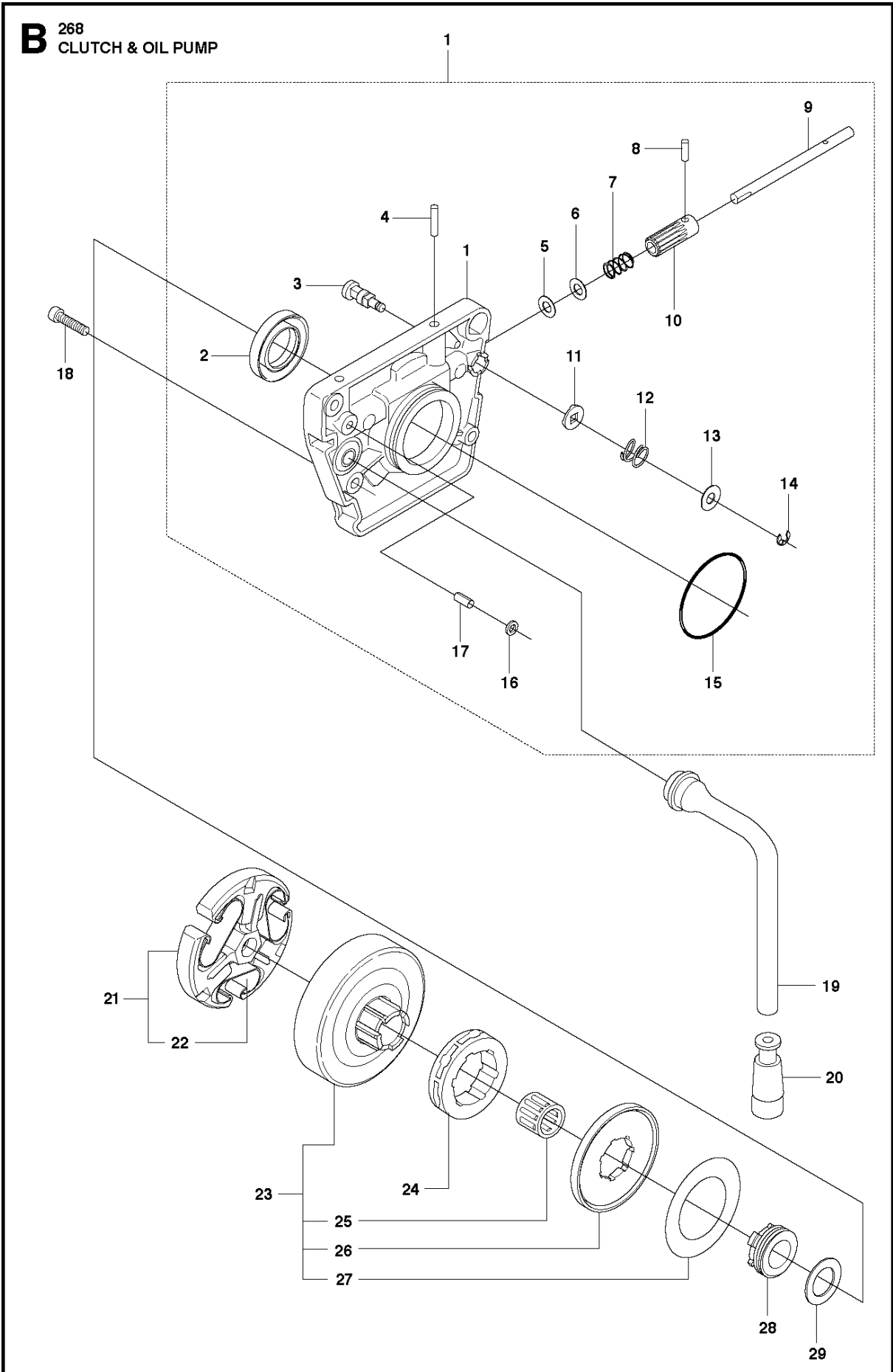
A 268
CHAIN BRAKE & CLUTCH COVER



CHAIN BRAKE & CLUTCH COVER

268, 2016-07

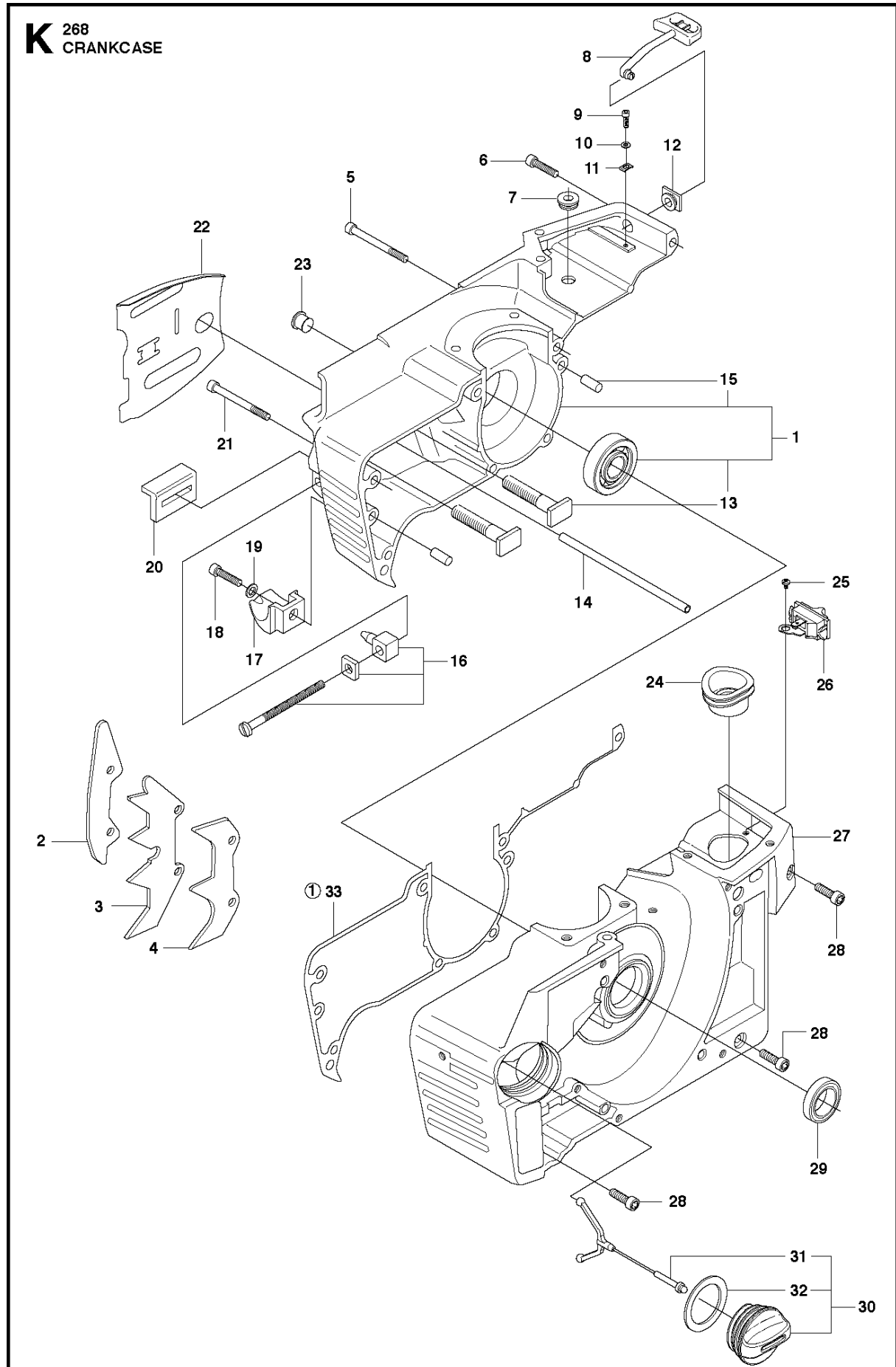
Ref	Part No	Description	Remark	QTY	KIT
1	503 73 66-01	CLUTCH COVER ASSY		1	
2	503 72 74-01	HAND GUARD ASSY		1	1
3	503 80 27-01	PIVOT PIN		1	2, 1
4	735 31 08-20	E-CLIP		1	2, 1
5	506 16 48-01	POSITION SPRING		1	2, 1
6	503 52 08-01	SHAFT PIVOT		1	1
7	501 76 80-01	SHAFT PIVOT		1	1
8	503 20 26-16	SCREW IHSCM		1	1
9	720 12 33-51	PARALLEL PIN		1	1
10	501 87 53-03	KNEE JOINT		1	1
11	503 21 28-10	SCREW CCRPANT		1	1
12	503 70 99-01	BRAKE SPRING		1	1
13	503 70 40-02	BRAKE BAND ASSY		1	1
14	503 70 47-01	LID		1	1
15	503 21 28-10	SCREW CCRPANT		4	1
16	503 72 31-01	BUSHING		1	1
17	503 73 05-01	CHIP GUARD		1	1
18	503 70 46-01	CLUTCH COVER		1	1
19	501 51 72-01	CHAIN GUIDE		1	1
20	501 87 47-01	SPRING		1	1
21	503 76 81-01	LABEL		1	
22	503 22 00-01	HEXAGON NUT		2	
23	725 53 27-55	SCREW IHSCM		1	
24	503 59 07-01	SPIKE OUTER		1	



CLUTCH & OIL PUMP

268, 2016-07

Ref	Part No	Description	Remark	QTY	KIT
1	501 51 25-01	OIL PUMP ASSY		1	
2	503 26 02-04	SEALING RING		1	1
3	501 51 36-01	ADJUSTMENT SCREW		1	1
4	720 12 37-50	PARALLEL PIN		1	1
5	503 23 10-01	WASHER		1	1
6	503 23 00-16	WASHER		1	1
7	501 51 34-01	SPRING		1	1
8	501 51 33-01	STOP SCREW		1	1
9	501 51 32-01	SHAFT		1	1
10	501 51 31-01	GEAR WHEEL		1	1
11	501 51 37-01	FIXING WASHER		1	1
12	501 51 39-01	SPRING		1	1
13	734 48 48-01	WASHER		1	1
14	735 31 07-20	E-CLIP		1	1
15	740 42 21-00	O-RING		1	1
16	501 28 85-01	X-RING 2.9X6.46X1.78		1	1
17	721 42 03-25	PINNE FRP-LS3X6 OXSV		1	1
18	725 52 93-56	SCREW IHSCM		3	
19	501 51 99-01	OIL HOSE		1	
20	501 54 41-02	OIL SCREEN		1	
21	503 74 44-02	CLUTCH ASSY		1	
22	537 36 06-01	CLUTCH SPRING		3	21
23	501 83 15-03	CLUTCH DRUM		1	
23	501 83 15-04	CLUTCH DRUM		1	
24	505 30 36-61	RIM		1	
24	501 59 80-02	RIM		1	
25	503 25 34-01	NEEDLE BEARING		1	23
26	501 83 17-01	GUIDE WASHER		1	23
27	501 53 59-01	WASHER		1	23
28	501 51 38-01	GEAR WHEEL			
29	503 23 00-13	WASHER			

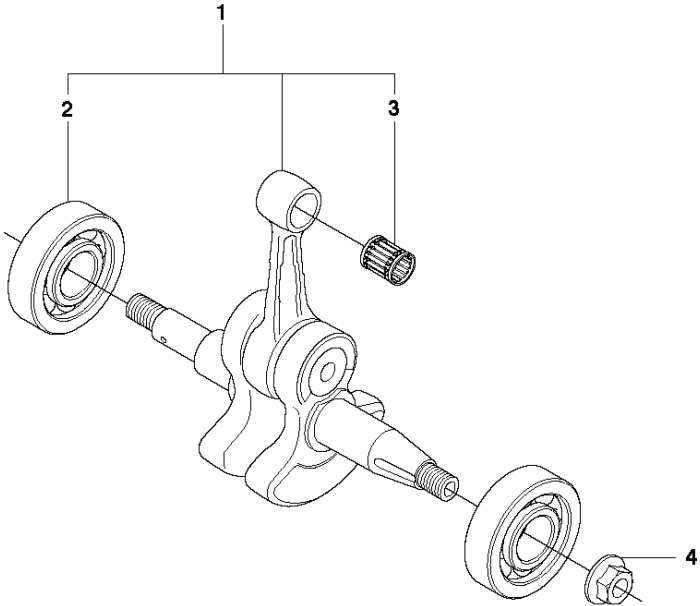


CRANKCASE

268, 2016-07

Ref	Part No	Description	Remark	QTY	KIT
1	501 77 99-01	CRANKCASE ASSY		1	
2	503 44 57-01	SPIKE		1	
3	503 59 08-01	INDRE BARKSTØD		1	
4	501 52 81-01	SPIKE		1	
5	725 53 37-55	SCREW IHSCM		4	
6	725 53 31-55	SCREW IHSCM		1	
7	503 69 76-01	GROMMET		1	
8	501 52 79-02	CHOKE CONTROL		1	
9	725 52 93-56	SCREW IHSCM		1	
10	503 23 00-01	WASHER		1	
11	503 44 64-01	BASE		1	
12	501 52 78-01	GROMMET		1	
13	501 81 57-01	BAR BOLT		2	1
14	503 66 84-03	TANK VENT ASSY		1	
15	720 13 07-10	PARALLEL PIN		2	1
16	501 53 71-01	CHAIN TENSIONER KIT		1	
17	503 53 58-01	CHAIN CATCHER		1	
18	725 53 27-55	SCREW IHSCM		1	
19	503 23 00-42	WASHER		1	
20	501 51 72-01	CHAIN GUIDE		1	
21	725 53 41-55	SCREW IHSCM		2	
22	501 81 48-01	PROTECTIVE PLATE		1	
23	503 27 90-04	PLUG		1	
24	503 44 50-01	BELLOWS		1	
25	503 21 28-06	SCREW CCRPANT		1	
26	503 71 79-01	STOP SWITCH		1	
27	501 77 99-01	CRANKCASE ASSY		1	
28	725 53 27-55	SCREW IHSCM		6	
29	503 26 02-04	SEALING RING		1	
30	501 62 66-02	TANK		1	
31	503 57 89-01	HOLDER		1	30
32	501 62 68-01	GASKET		1	30
33	501 52 26-04	GASKET KIT		1	

J 268
CRANKSHAFT

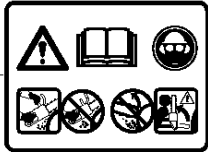
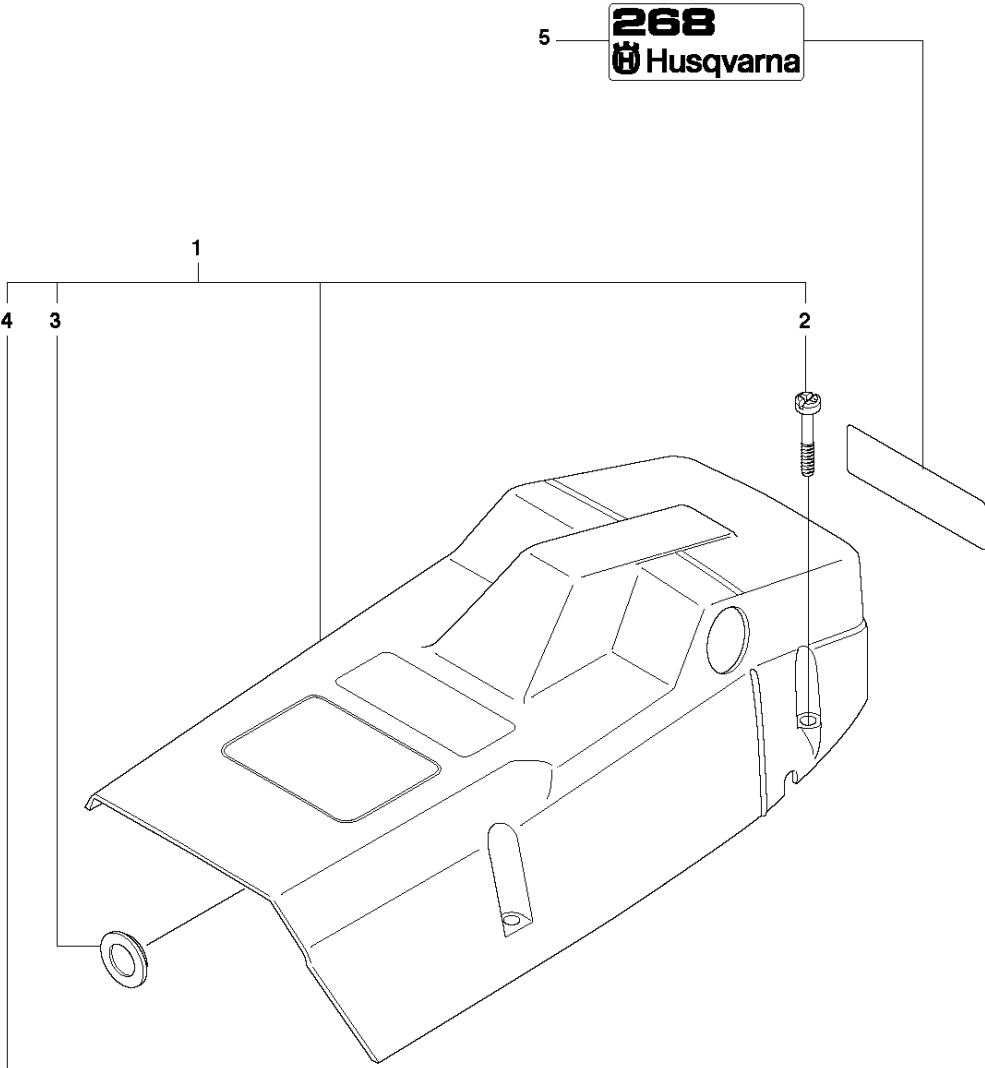


CRANKSHAFT

268, 2016-07

Ref	Part No	Description	Remark	QTY	KIT
1	503 61 33-71	CRANKSHAFT ASSY		1	
2	544 06 86-01	BALL BEARING		2	1
3	577 57 24-01	NEEDLE BEARING		1	1
4	503 22 04-01	NUT		1	

C 268
COVER

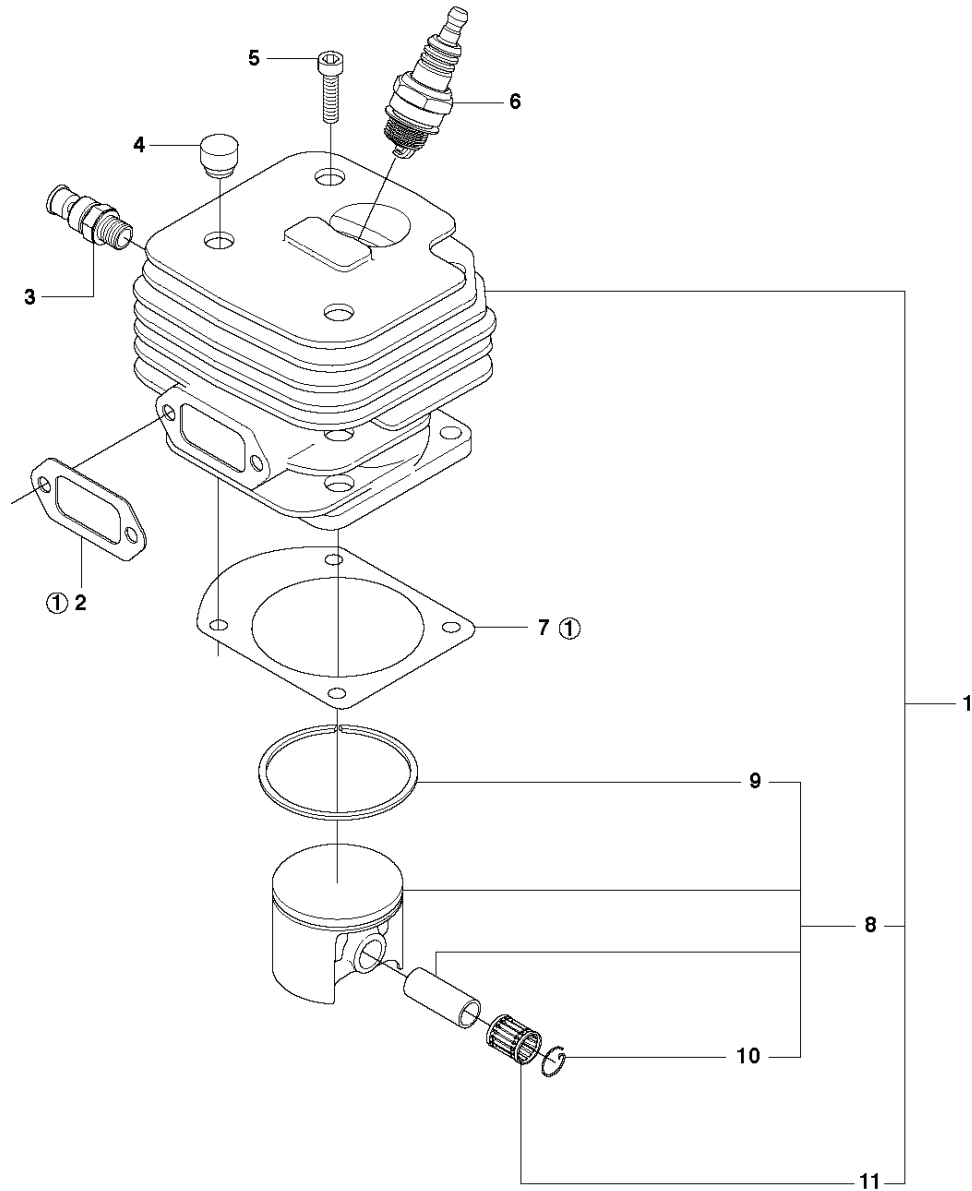


CYLINDER COVER

268, 2016-07

Ref	Part No	Description	Remark	QTY KIT	
1	503 40 60-02	CYLINDER COVER ASSY		1	
2	503 20 32-28	SCREW CCRPANMO		4	1
3	503 40 59-01	WINTER PLUG		1	1
4	503 98 74-01	LABEL		1	1
6	503 66 28-10	DECAL		1	

H1 268
CYLINDER PISTON

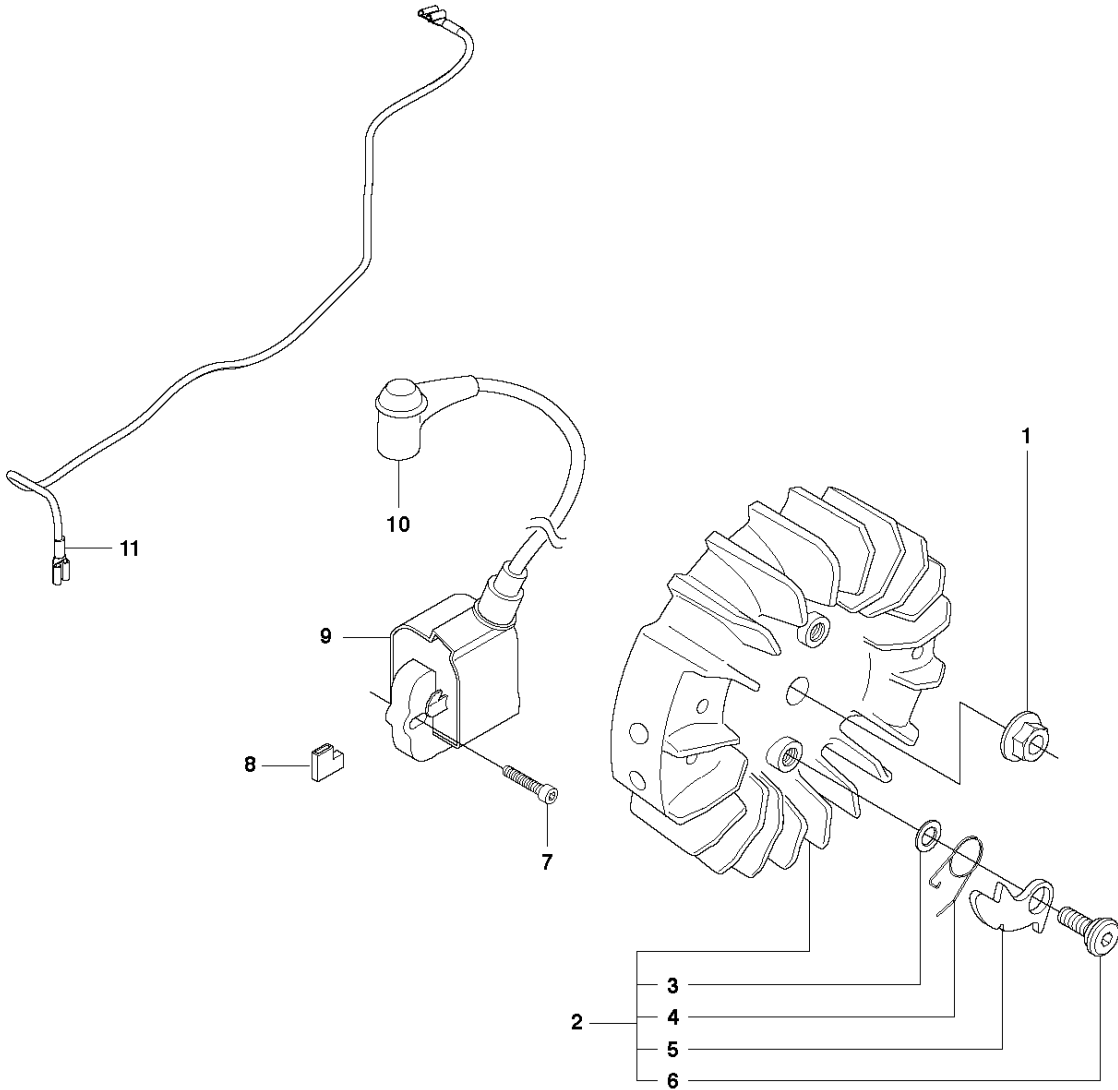


CYLINDER PISTON

268, 2016-07

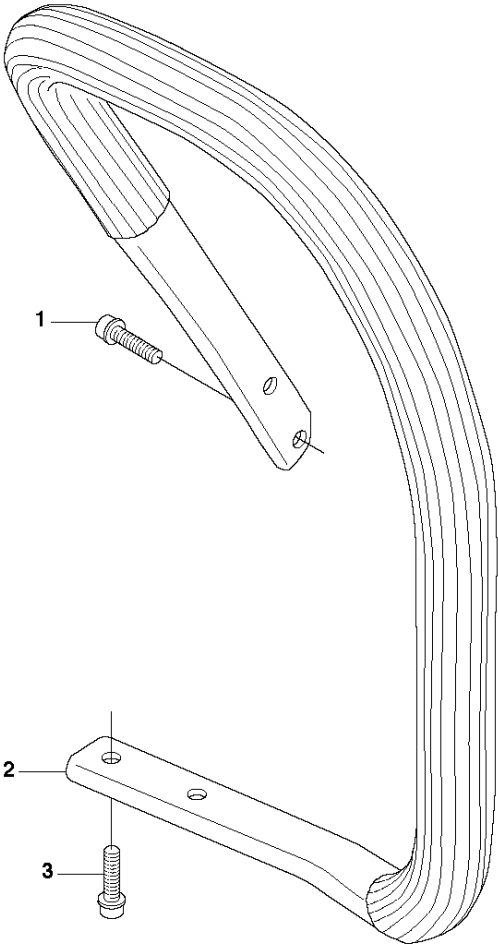
Ref	Part No	Description	Remark	QTY KIT	
1	544 22 29-02	CYLINDER ASSY	ø 50	1	
2	503 40 54-01	GASKET		1	
3	503 71 53-01	DECOMPRESSION VALVE		1	
4	501 51 54-01	SUPPORT		1	
5	503 21 60-25	SCREW		4	
6	503 23 51-08	SPARK PLUG		1	
7	501 51 22-04	GASKET		1	
8	544 22 39-03	PISTON ASSY	ø 50	1	1
9	503 28 90-17	PISTON RING		1	8, 1
10	737 43 12-00	SNAP RING		2	8, 1
11	577 57 24-01	NEEDLE BEARING		1	1

E 268
ELECTRICAL

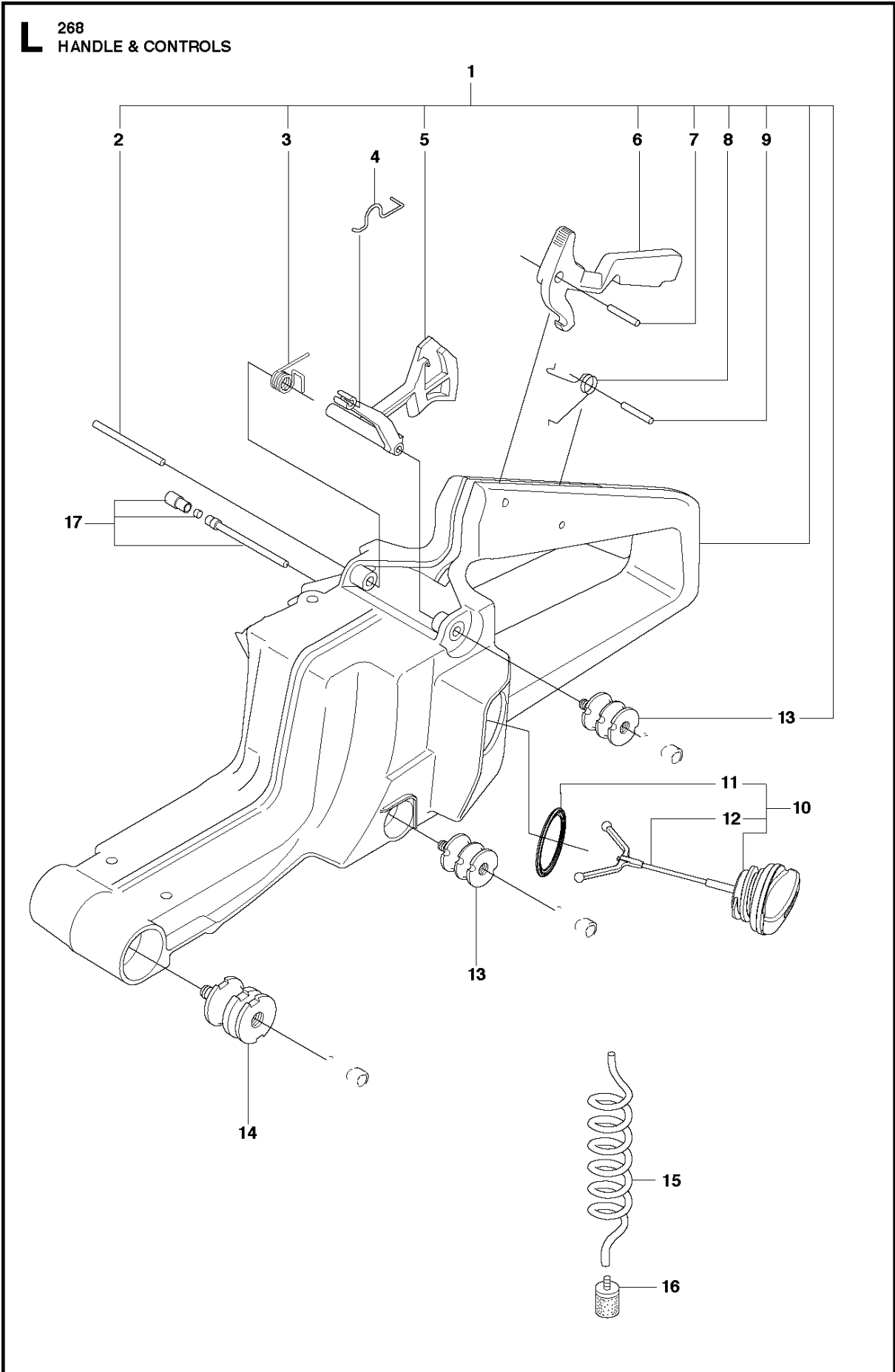


Ref	Part No	Description	Remark	QTY	KIT
1	503 22 04-01	NUT		1	
2	537 05 16-02	FLYWHEEL ASSY		1	
3	501 67 35-01	SPRING		2	2
4	503 23 00-42	WASHER		2	2
5	501 67 32-01	PAWL		2	2
6	501 81 99-01	SCREW		2	2
7	503 20 25-20	SCREW IHSCM		2	
8	503 23 72-02	INSULATING CAP		1	
9	587 32 96-01	IGNITION MODULE		1	
10	501 48 54-02	SPARK PLUG CAP		1	
11	501 83 98-01	CABLE		1	

M 268
HANDLE

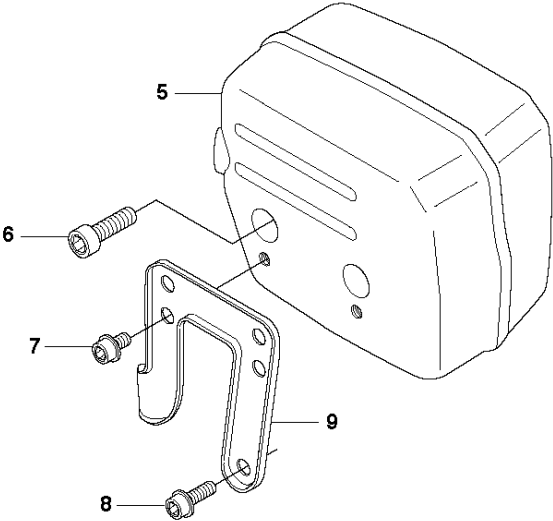
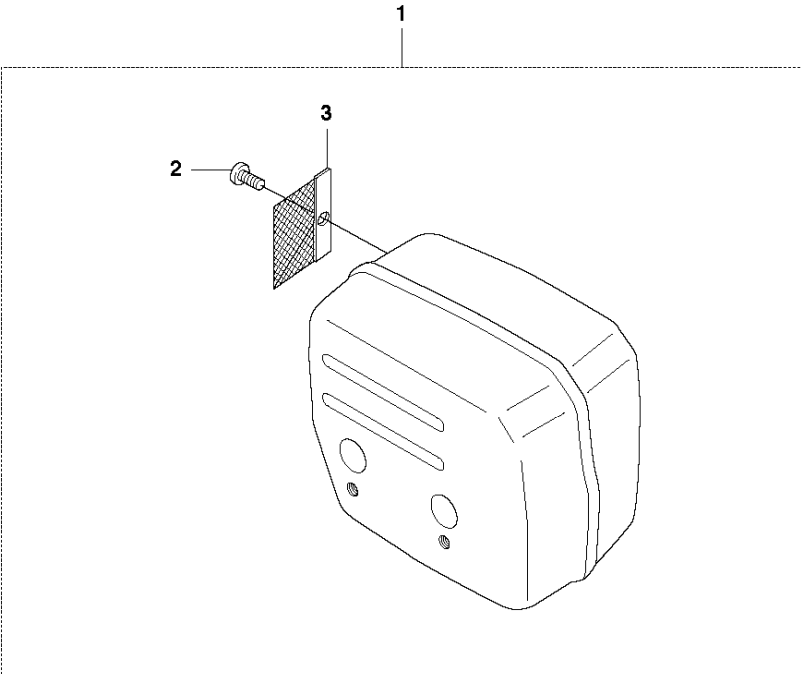


Ref	Part No	Description	Remark	QTY KIT
1	503 21 06-22	SCREW IHSCT		2
2	501 53 45-03	FRONT HANDLE ASSY		1
3	503 21 06-22	SCREW IHSCT		2



Ref	Part No	Description	Remark	QTY	KIT
1	501 69 90-10	FUEL TANK ASSY		1	
2	501 51 97-02	ROD		1	1
3	501 52 88-01	RECOIL SPRING		1	1
4	503 44 58-01	THROTTLE WIRE		1	
5	501 51 80-02	THROTTLE LEVER		1	1
6	501 51 81-02	THROTTLE LOCKOUT		1	1
7	721 42 12-26	SPRING PIN		1	1
8	501 42 41-01	SPRING		1	1
9	721 42 12-26	SPRING PIN		1	1
10	501 43 14-02	TANK CAP ASSY		1	
11	501 27 82-01	GASKET		1	
12	503 57 89-01	HOLDER		1	
13	501 77 34-01	ANTIVIBRATION ELEMENT	Soft, 2 pcs included in kit 1	4	1
13	501 62 87-01	ANTIVIBRATION ELEMENT	Hard	4	
14	501 77 35-01	ANTIVIBRATION ELEMENT	Soft	2	
14	501 69 94-01	ANTIVIBRATION ELEMENT	Hard	2	
15	581 75 62-01	FUEL HOSE		1	
16	503 44 32-01	FILTER		1	
17	501 62 96-01	TANK VENT		1	

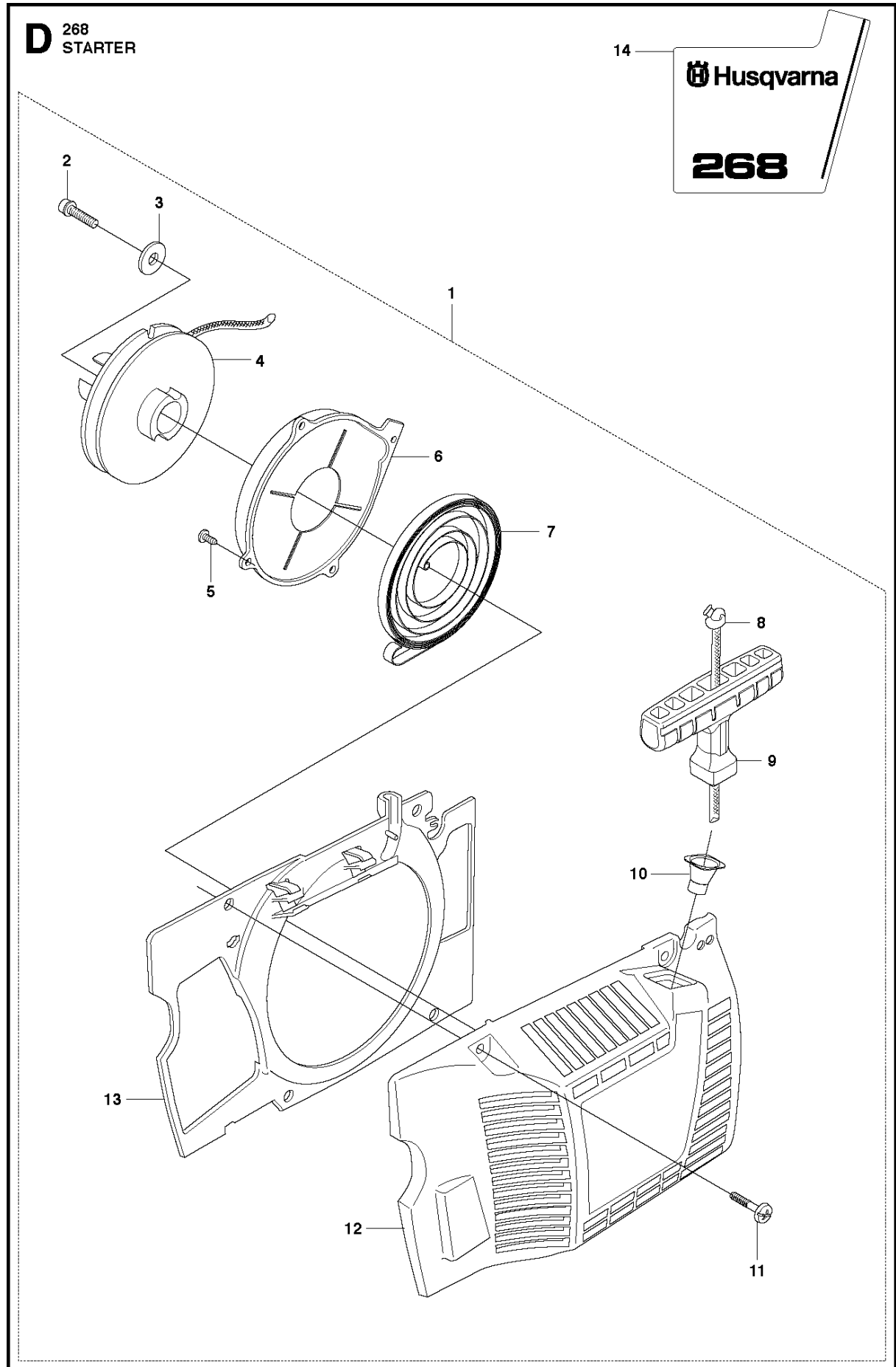
F 268
MUFFLER



MUFFLER

268, 2016-07

Ref	Part No	Description	Remark	QTY	KIT
1	503 59 92-06	MUFFLER ASSY	FF	1	
1	503 59 92-05	MUFFLER ASSY	DF	1	
2	724 12 87-59	SCREW CRPANM		1	1
3	503 66 91-01	SPARK ARRESTER SCREEN		1	1
5	503 47 69-01	MUFFLER ASSY		1	
6	725 53 70-55	SCREW IHSCM		2	
7	503 20 02-10	SCREW IHSCFM		2	
8	503 20 02-16	SCREW IHSCFM		1	
9	503 53 59-01	DOUBLE SUPPORT		1	



STARTER

268, 2016-07

Ref	Part No	Description	Remark	QTY	KIT
1	503 61 55-71	STARTER ASSY		1	
2	503 21 49-72	SCREW IHSCFT		1	1
3	503 23 43-02	WASHER		1	1
4	503 10 24-05	STARTER PULLEY		1	1
5	503 21 28-06	SCREW CCRPANT		2	1
6	501 52 95-02	GUARD RING		1	1
7	501 52 04-02	RECOIL SPRING		1	1
8	501 20 15-02	STARTER CORD		1	1
9	503 54 39-01	STARTER HANDLE		1	1
10	501 63 06-01	SLEEVE		1	1
11	503 20 34-16	SCREW CCRPANMO		4	1
12	503 61 56-01	STARTER HOUSING		1	1
13	501 65 92-01	AIR CONDUCTOR		1	1
14	503 62 39-02	LABEL		1	

Illustrated Parts List - IPL Update



Product Name(s)

H268

Description of change

1. New carburettor with updated throttle valve.
2. Change due to delivery problem.
3. New supplier, exactly the same ignition module as before.
4. New material in fuel hose.
5. New supplier and updated detail drawing.
6. New screw.
7. Improved durability.
8. New ring.

Comments

Fully interchangeable

Introduced from

Serial number / Date	Remark
20101410613 -	Carburettor 574 33 16-01
20134600001 -	Needle bearing 577 57 24-01
20160500001 -	Ignition module 587 32 96-01
20132300001 -	Fuel hose 581 75 62-01
20051800001 -	Screw IHSC T 503 21 49-72
20051800001 -	Screw IHSC M 503 20 02-10
20051800001 -	Ball bearing 544 06 86-01
	Ring 503 79 95-01

IPL updates

Page Title	Ref. no	New part no	< Name	Excl. part no.	Remark
Carburettor and air filter	13	574 33 16-01	Carburettor	503 28 03-16	
Carburettor details	1	574 33 16-01	Carburettor	503 28 03-16	
Crankshaft	3	577 57 24-01	Needle bearing	503 73 39-01	Remain as spare part.
Cylinder piston	11	577 57 24-01	Needle bearing	503 73 39-01	Remain as spare part.
Electrical	9	587 32 96-01	Ignition module	544 01 84-01	New name: Ignition module
Handle and controls	15	581 75 62-01	Fuel hose	544 32 50-01	
Starter	2	503 21 49-72	Screw IHSC T	503 21 49-16	Remain as spare part.
Muffler	7	503 20 02-10	Screw IHSC M	503 20 07-10	Remain as spare part.
Crankshaft	2	544 06 86-01	Ball bearing	738 22 02-05	
Carburettor details	26	503 79 95-01	Ring	505 31 67-36	